

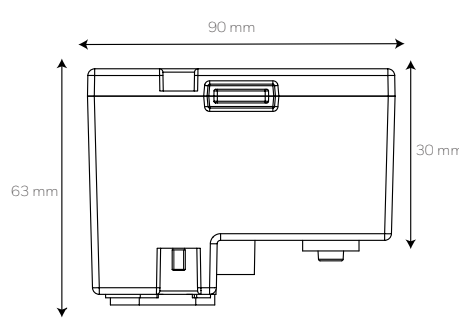
VESDA FILTER CARTRIDGE

VSP-005, VSP-025



The VESDA replacement filter cartridge (VSP-005 for single units and VSP-025 for a pack of 20) is used to replace filter cartridges in VESDA VLC, VLF, VLP and VLS detectors.

Specifications

Dimensions (WHD)	90 mm x 63 mm x 30 mm (3.5 in. x 2.5 in. x 1.2 in.)
	

Ordering Information

Ordering Code	Description
VSP-005	Single cartridge
VSP-025	Pack of 20 cartridges

Features

- Easy swap replacement filter
- Fits VLC, VLF, VLP and VLS VESDA detectors
- Available singly or in packs of 20
- Two Stage Filtration
 - First stage removes particles in excess of 20 microns
 - Second stage is ultra-fine and removes more than 99% of particles of 0.3 microns or larger to provide a clean air barrier for optics protection