

# 4W-882 Photoelectric Smoke Detector



## Models Available

4W-882  
Photoelectric Smoke Detector



## Description

Model 4W-882 is a 4-wire conventional photoelectric smoke detector. The detector uses state-of-the-art photoelectric smoke detecting technology. The two LED indicators on symmetrical sides will latch on red when fire is detected, and provide the 360° visibility of alarm indication. By being wired with System Sensor B801R detector base, the unexpected remove of the detector can be monitored. The detector provides a Form A relay output at alarm, which can be used in various circuits for device activation.

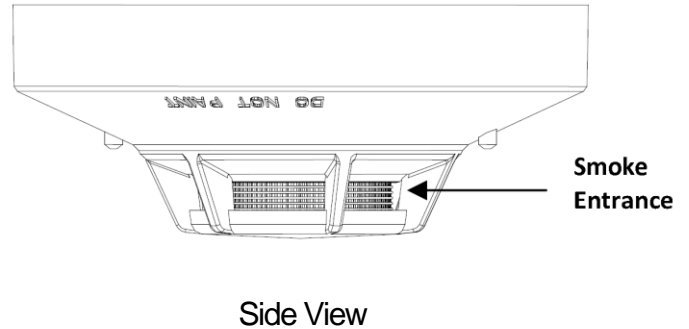
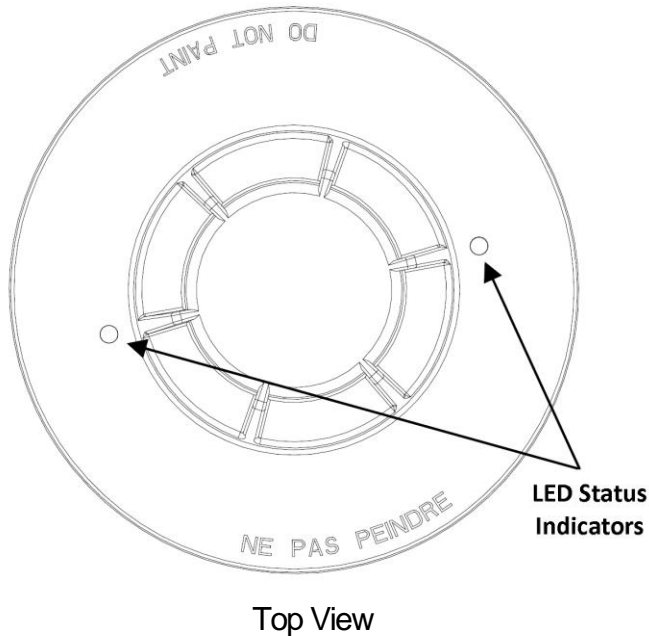
## Specifications

Diameter:	4.04 inches (102 mm) installed in B801R Base
Height :	2.11 inches (54 mm) installed in B801R Base
Weight:	2.9 oz. (82 g)
Operating Temperature Range:	32 ~ 120°F (0 ~ 49°C)
Operating Humidity Range:	10% ~ 93% relative humidity non-condensing
Operating Voltage:	8.5 ~ 35VDC
Standby Current:	90µA average
Alarm Current:	36mA @ 24VDC
Alarm Contact Ratings:	0.5 Amp @ 30 VAC/DC
Latching Alarm:	Reset by momentary power interruption
Alarm Reset Time:	0.3 sec

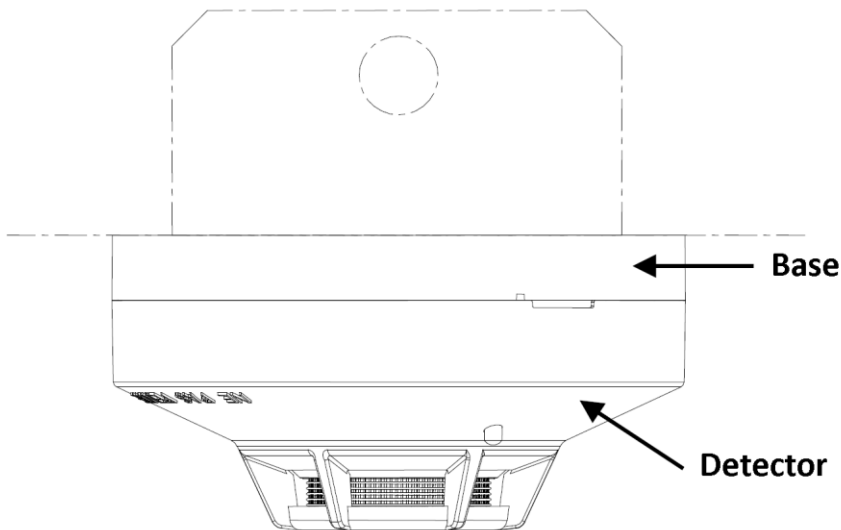
## Agency List



# Appearance



# Mounting



Each 4W-882 detector is used with a mounting base (B801R) that permits the detector to be mounted directly to a 50 or 60mm junction box as the left figure showed.

**NOTE:**

All wiring must conform to applicable local codes, ordinances, and regulations. Verify that all detector bases are installed, that the initiating-device circuits have been tested, and that the wiring is correct. (Refer to detector base manual for testing procedure.)

# Ordering Information

Model	Description	UOM
4W-882	4-wire photoelectric smoke detector	EA
B801R	Detector Base	EA



System Sensor Headquarters  
3825 Ohio Avenue  
St. Charles, IL 60174  
Ph: 630-377-6580  
Fx: 630-377-6495  
Free Phone: 800-736-7672  
Web: www.systemsensor.com

System Sensor China  
28 Tuan Jie South Road,  
Hi-Tech Development Zone  
Xi'an, 710075, China  
Ph: +86 29 85387800  
Fx: +86 29 88895930  
Web: www.systemsensor.com.cn

System Sensor Canada  
Ph: 905-812-0767  
Fx: 905-812-0771

System Sensor Europe  
Ph: 44 (0) 1527 406700  
Fx: 44 (0) 1527 406699

System Sensor Italy  
Ph: 39 040 949 0111  
Fx: 39 040 382 137

System Sensor Mexico  
Ph: 54 11 4324-1909  
Fx: 54 11 4324-5999

System Sensor Far East Ltd  
Ph: 852 21919003  
Fx: 852 27366580

System Sensor Singapore  
Ph: 65 6273 2230

System Sensor India  
Ph: 91 124 2371770-270  
Fx: 91 124 2373118

System Sensor Australia  
Ph: 61-3-5428 1142  
Fx: 61-3-5428 1172