



Model 885WP-B Weatherproof Heat Detector with Fixed Temperature Alarm

Specifications

Diameter:	10.2 cm (4")
Height (including base):	4.8 cm (1.8")
Weight (including base):	170g (6.0 ounce)
Operating Temperature Range:	-15° to 50°C (5°F to 122°F)
IP Rating:	IP67
Sensitivity:	63°C (145.4°F) Fixed Temperature
Operating Voltage:	8.5 to 30VDC
Standby Current:	≤50µA
Alarm Current:	Min. 2mA @ 3.1VDC Max. 80mA @ 6.5VDC
Latching Alarm:	Reset by momentary power interruption
Max .Air Velocity	20m/s

Before Installing

Please thoroughly read System Sensor manual which provides detailed information on detector spacing, placement, zoning, wiring, and special applications. Copies of this manual are available at no charge from System Sensor.

NOTICE: This manual shall be left with the owner/user of this equipment.

IMPORTANT: This detector must be tested and maintained regularly in accordance with the requirements of the local standards and regulations. The detector should be cleaned at least once a year.

General Description

Model 885WP-B is a 2-wire fixed temperature (63°C) heat detector. This detector is designed to provide open area protection in areas subject to moisture. This detector is sealed against the entry of moisture to a rating of IP67. The LED will latch on when the detector is in alarm.

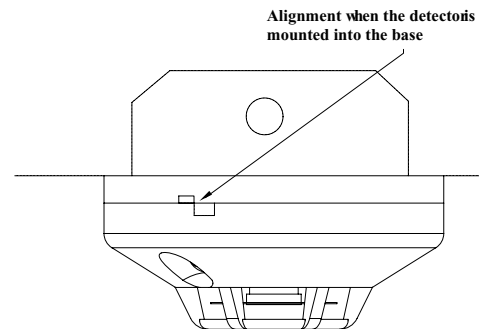
Mounting

Each 885WP-B detector is used with a mounting base that permits the detector to be mounted directly to a 50 mm or 60 mm junction box.

Tamper-resistant Feature

This detector includes a tamper-resistant feature that prevents its removal from the mounting base without the use of a key. To make the detector tamper-resistant, remove the tab from the tamper arm on the mounting base using a cutting tool. Remove the tamper key from the center of the mounting base by twisting it back and forth several times (see **Figure 2**). Once the detector is installed, it may be removed from the mounting base by inserting the T-shaped end of the key into the slot on the side of the unit and rotating the detector counter-clockwise.

Figure 1. Surface mounting of the 885WP-B weatherproof heat detector into a 50 /60 mm junction box.



Wiring Installation Guidelines

This detector provides six wires which are divided into three groups, separately two red, two white and two black wires. Refer to **Figure 3**.

Terminal Notes:

Red wire: Power / Detector Circuit +ve
 Black wire: Power / Detector Circuit -ve (the power and the LED uses the same cathode)
 White wire: Remote LED +ve
 Wiring Diagram refers to **Figure 4**.

Please refer to insert for the Limitations of Fire Alarm Systems (I56-1558-00)

Three-Year Limited Warranty

System Sensor warrants its enclosed heat detector to be free from defects in materials and workmanship under normal use and service for a period of three years from date of manufacture. System Sensor makes no other express warranty for this HEAT detector. No agent, representative, dealer, or employee of the Company has the authority to increase or alter the obligations or limitations of this Warranty. The Company's obligation of this Warranty shall be limited to the repair or replacement of any part of the smoke detector which is found to be defective in materials or workmanship under normal use and service during the three year period

commencing with the date of manufacture. After phoning System Sensor for a Return Authorization Number, return defective units postage prepaid to the Company. Please include a note describing the malfunction and suspected cause of failure. The Company shall not be obligated to repair or replace units which are found to be defective because of damage, unreasonable use, modifications, or alterations occurring after the date of manufacture. In no case shall the Company be liable for any consequential or incidental damages for breach of this or any other Warranty, expressed or implied whatsoever, even if the loss or damage is caused by the Company's negligence or fault.

Installation

NOTE: All wiring must conform to applicable local codes, ordinances and regulations.

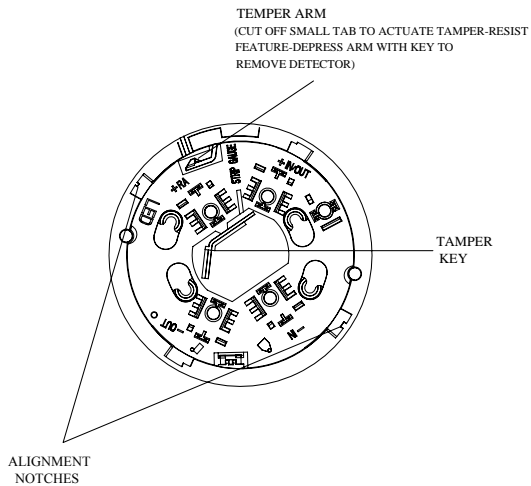
NOTE: Verify that all detector bases are installed, that the initiating-device circuits have been tested, and that the wiring is correct.

WARNING

Remove power from initiating-device circuits before installing detectors.

1. Place the detector on the mounting base and rotate clockwise until it drops into place.
2. Turn the detector clockwise in the mounting base until it clicks into place.
3. After all detectors have been installed, apply power to the control unit or initiating-device circuits.
4. Test the detector as described in **Testing**.
5. Reset the detector at the system control panel.
6. Notify the proper authorities the system is in operation.

Figure 2. Module 885WP-B weatherproof Heat Detector Mounting Bracket



Testing

NOTE: Before testing, notify the proper authorities that the thermal detector system is undergoing maintenance and will temporarily be out of service. Disable the zone or system undergoing maintenance to prevent unwanted alarms.

Detectors must be tested after installation as well as after each time maintenance is performed.

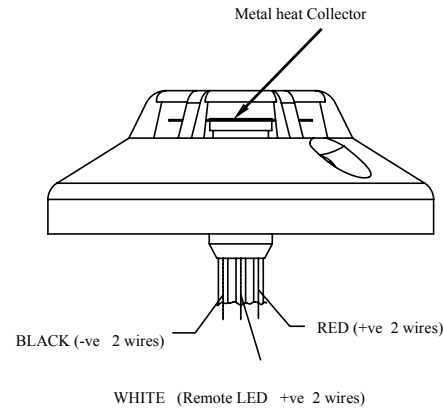
Test the 885WP-B as follows:

To test the 885WP-B you need a hair dryer. From the side of the detector, direct the heat toward the sensor. Hold the heat source about 15 cm away to prevent damage and apply heat to the cover during testing until it alarms.

A detector that fails these tests should first be cleaned as outlined in the **Maintenance** section which follows. If the detector still fails, it should be returned for repair.

Notify the proper authorities the system is back on line.

Figure 3.



Maintenance

NOTE: Before removing the detector, notify the proper authorities that the fire detection system is undergoing maintenance and will temporarily be out of service. Disable the zone or system undergoing maintenance to prevent unwanted alarms.

1. Remove the detector from the mounting base by rotating it counter-clockwise.
2. Vacuum the metal heat collector and surrounding area.
3. Clean the surface of the detector.
4. Reinstall the detector.
5. Test the detector as described in Testing.
6. Notify the proper authorities the system is back in operation.

Figure 4. Detector Wiring Diagram

